



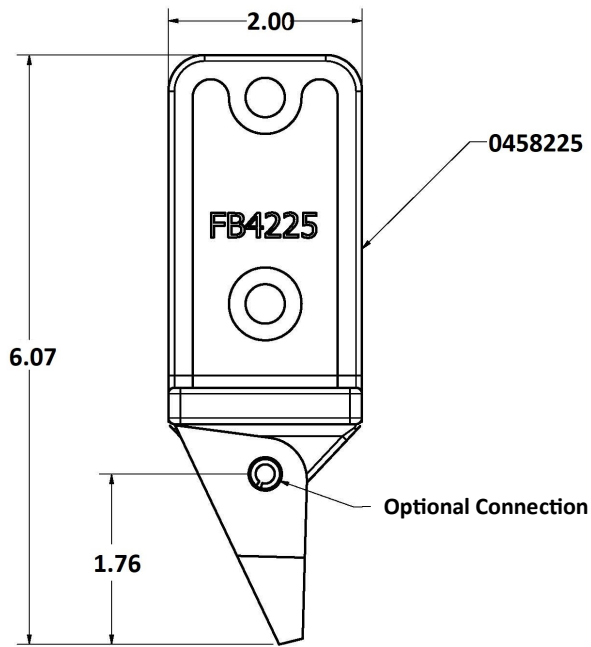
Overhead Power Conveyors: T-Bar & Drop Finger Attachment



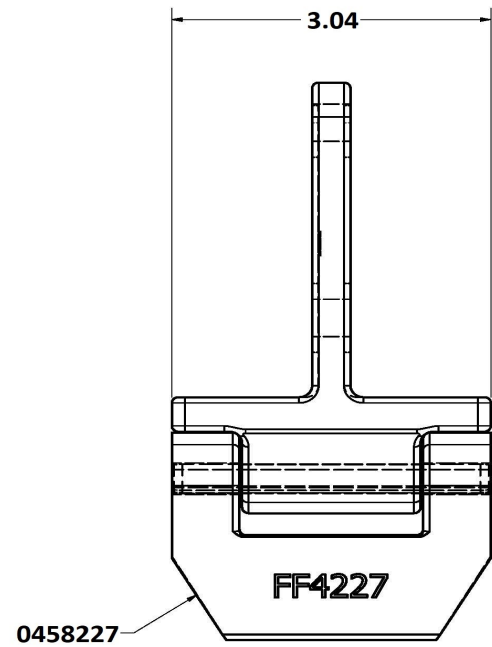
SUITABLE FOR RED MEAT PROCESSING APPLICATIONS USING AN OVERHEAD X-458 CHAIN & TROLLEY CONVEYOR

- Purchase Assembled or Components
 - Assembly Part Number: 0458220
 - T-Bar Part Number: 0458225
 - Drop Finger Part Number: 0458227
 - Hardware: Roll Pin or Bolt/Lock Nut Options
- Chain Size: X-458
- Material: Cast Steel
- Spacing: Customize to Your Requirements
- Fingers are Ambidextrous on T-Bar
- Highly Competitive Lead Times
- **Each Frost Component is Interchangeable with Most All Power, Gateway and LeFIELL Components**

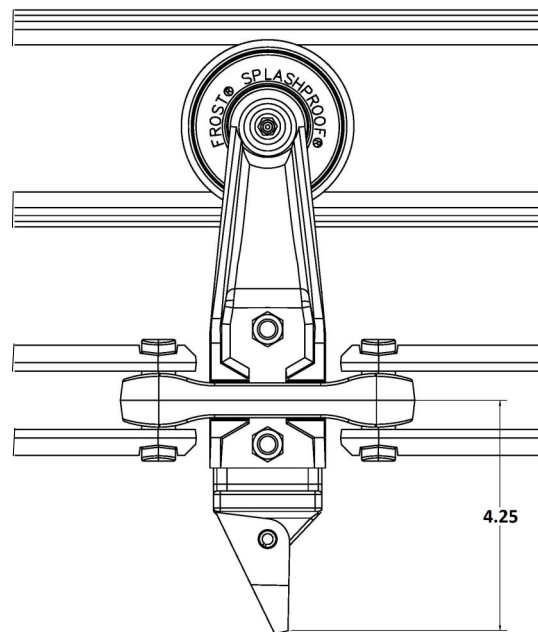
DRAWING VIEWS



T-Bar: Side View



Drop Finger: Front View



Drop From Centerline of Chain: Assembly View



frostlinks.com
616.453.7781
Grand Rapids, MI